

Simulated FFCS/L, High Fidelity, USB I/O

Part No 10907

Rev -

Features:

- Plastic Housing Molded in Color
- Tactical switches and knobs
- Mounting holes match tactical device
- USB Audio and Digital I/O
- Locking USB connector



Product Description

The High-Fidelity Simulated FFCS/L has the capabilities for connection of two independent headsets to access 6 radio channels and two intercoms. It is compatible with standard H-250 handsets, CVC helmets, and Bose Tri-Port headsets. Each station also includes a volume control.

Audio and Digital I/O is interfaced through a single USB port from a locking connector on the right side of the unit. When connected to a Windows PC, the simulated FFCS/L appears as a stereo USB audio device. One headset is connected to the left side and the other headset is connected to the right side. A driver is provided for digital I/O which includes the switch settings and PTT switch for each headset.

This High-Fidelity model is built around a plastic housing with very similar size of the tactical component (see Figure 1 for envelope dimensions). It is equipped with connections on the bottom of the unit for use with two independent handsets/headsets. External connections to the device are:

- 6 pin circular connector for headset power (necessary when using CVC or Bose Tri-Port headsets)
- Locking mini USB connection for audio and digital I/O

Table 1 – Microphone Power Connector Pinout

Microphone Power Connector Amphenol PT02A-10-6S Pin Name ¹	Signal
A	Mic Power (6VDC - 24VDC)
B	N/C
C	N/C
D	Mic Power Common
E	N/C
F	N/C

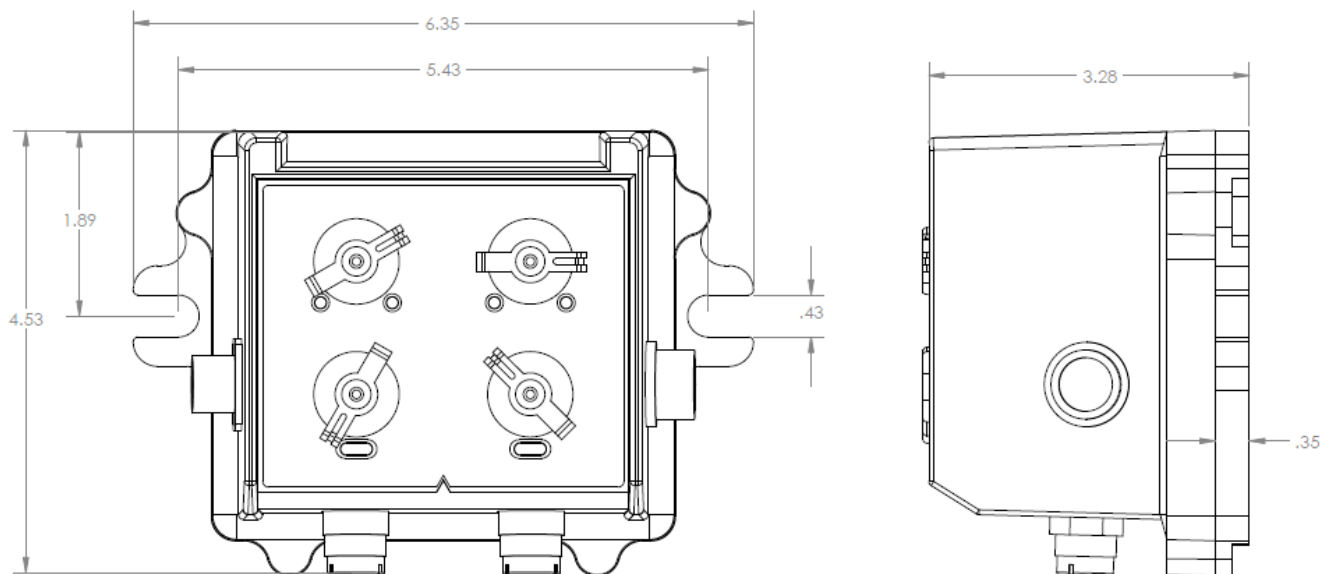


Figure 1 – Size and Mounting Hole Locations